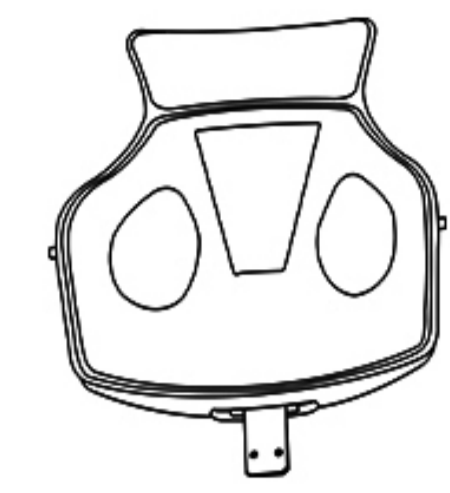
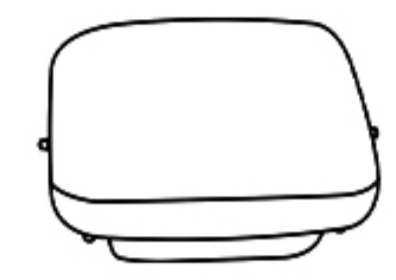


ASSEMBLY INSTRUCTIONS

A. Backrest x 1



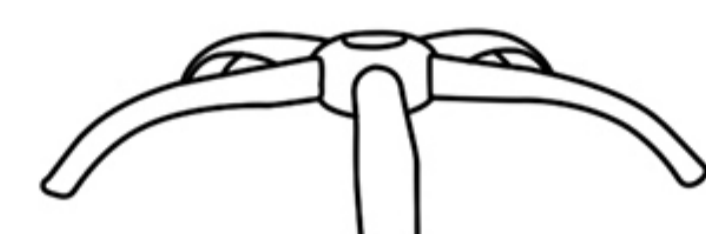
B. Seat cushion x 1



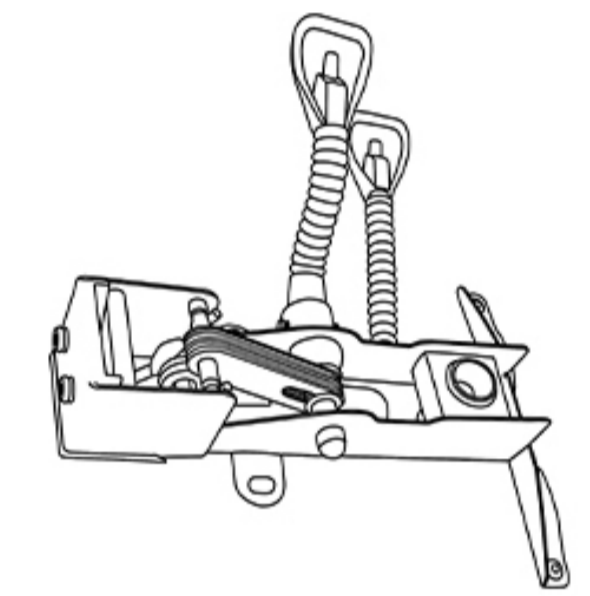
C. Armrests x 2



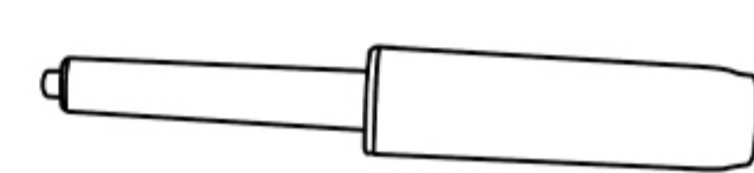
D. Chrome base x 1



E. Salver x 1



F. Gaslift x 1



G. Casters x 5



H. Wrench x 1



I. The armrest decorative buckles x 4



J. Screws x 4 (M6 x 20)



K. Screws x 2 (M8 x 16)



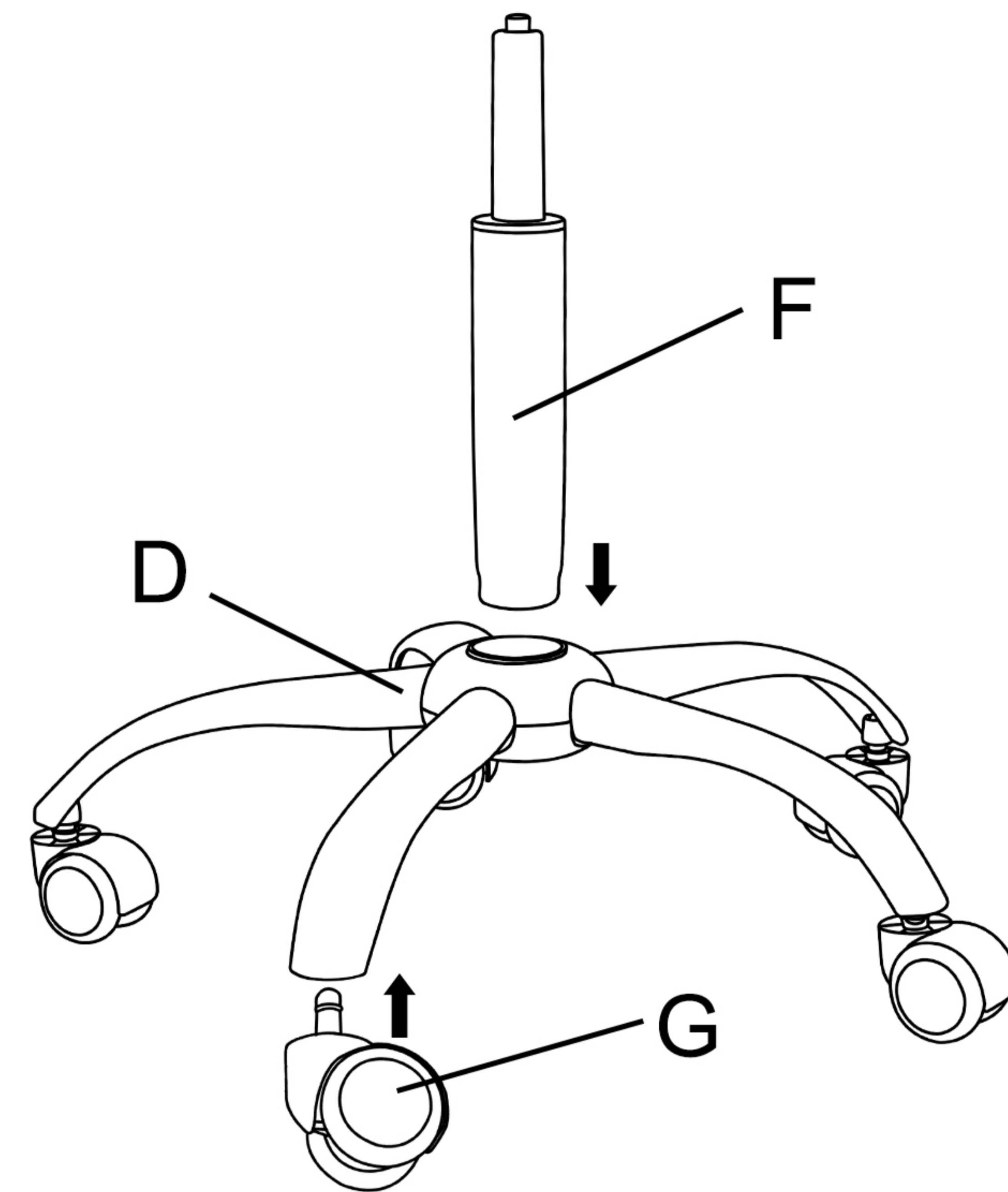
L. Screws x 2 (M8 x 20)



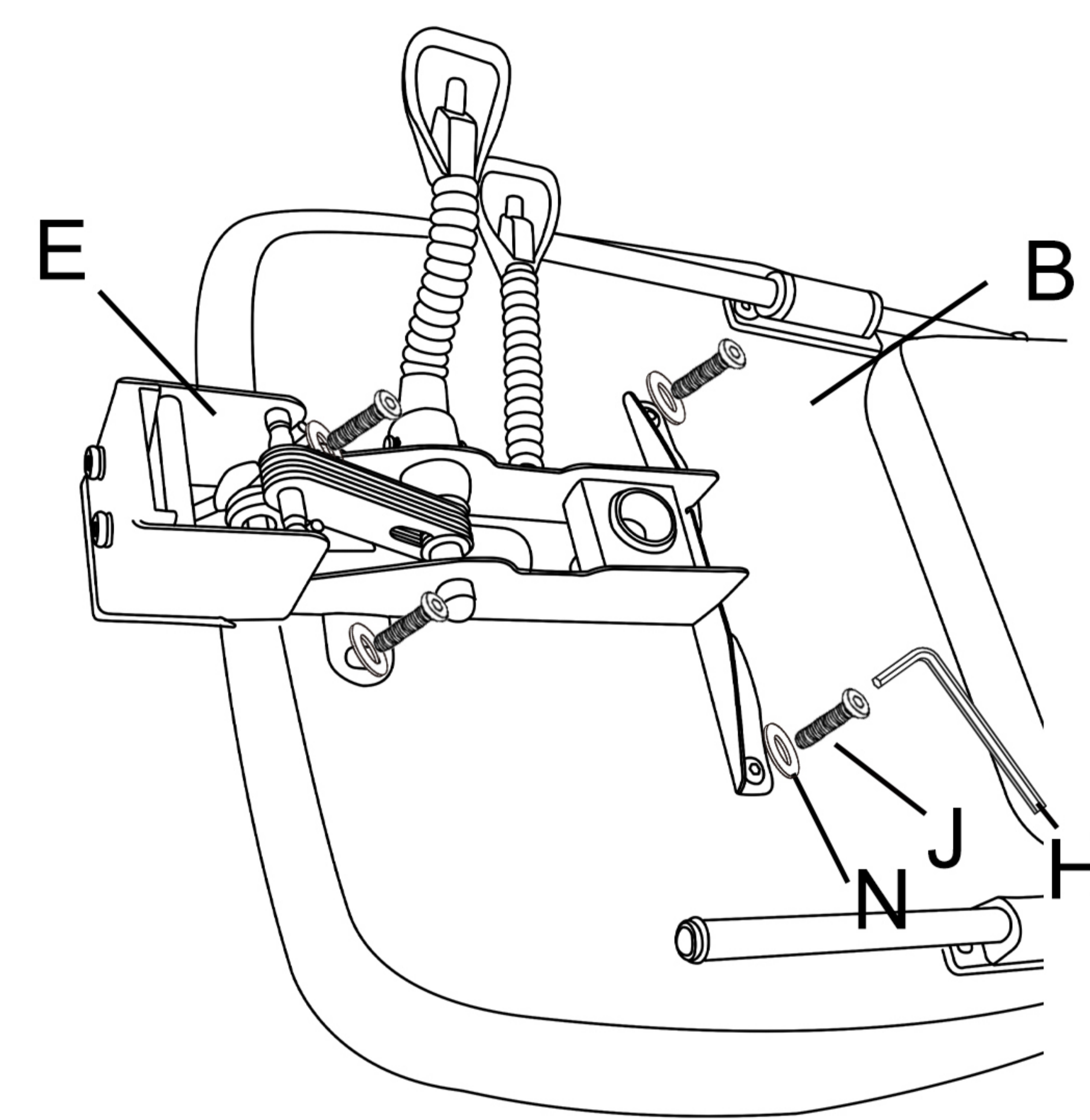
M. Screws x 2 (M8 x 30)



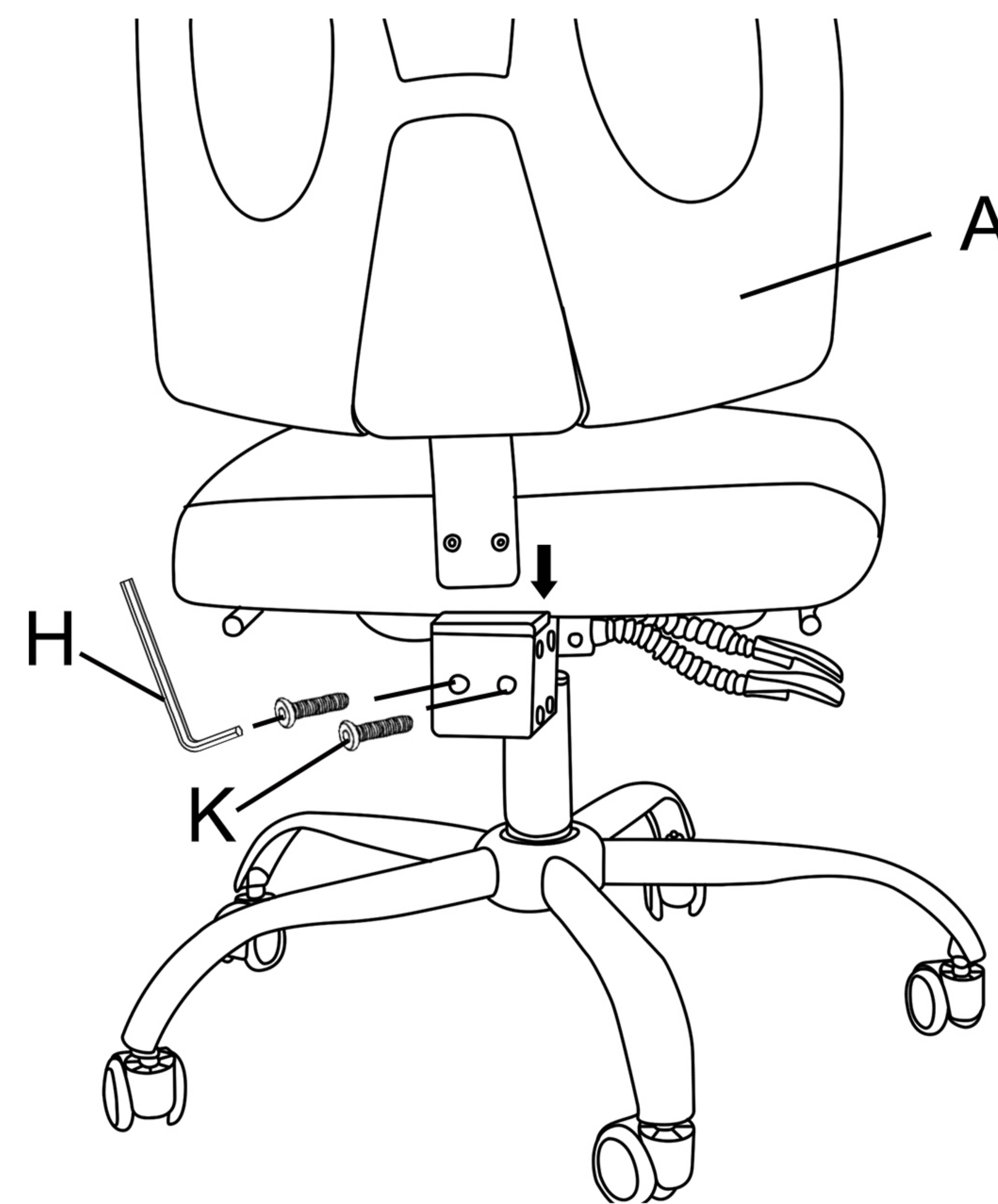
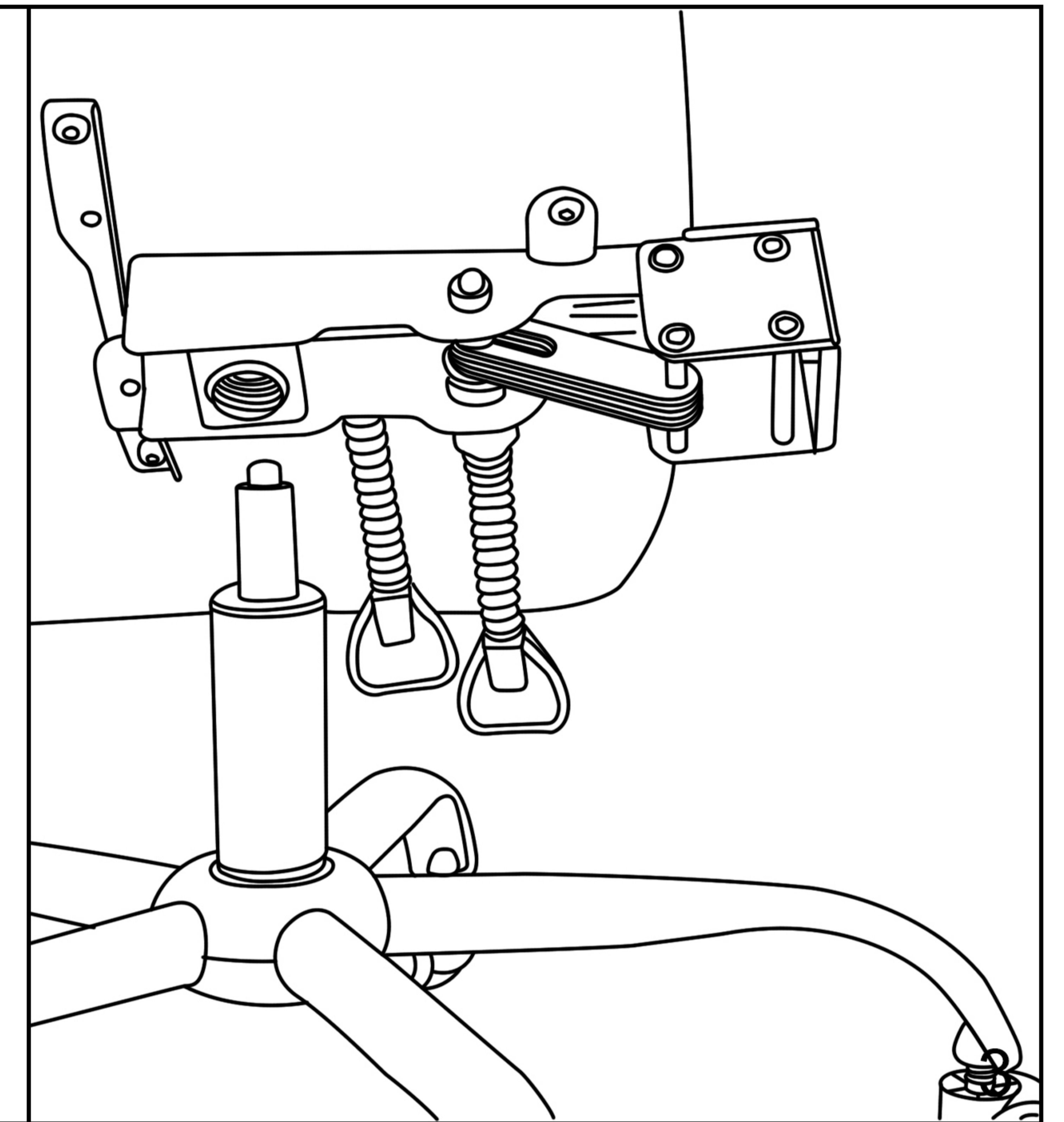
N. Flat washers x 4 (M8 x 17)



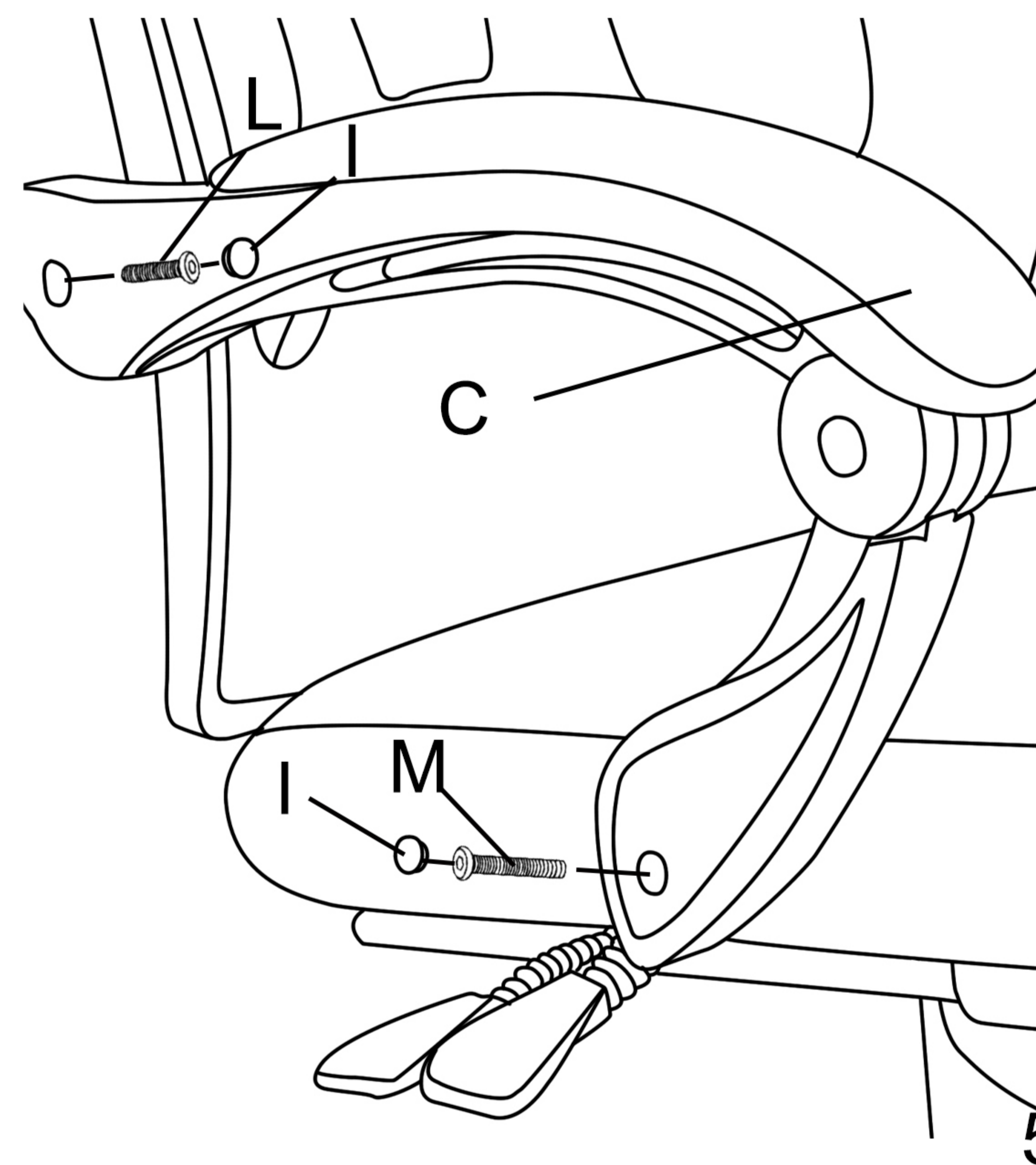
1



2



4



5



6

Remark: First fix screws lightly by hand and at the end of the assembly fasten the screws firmly with tools.